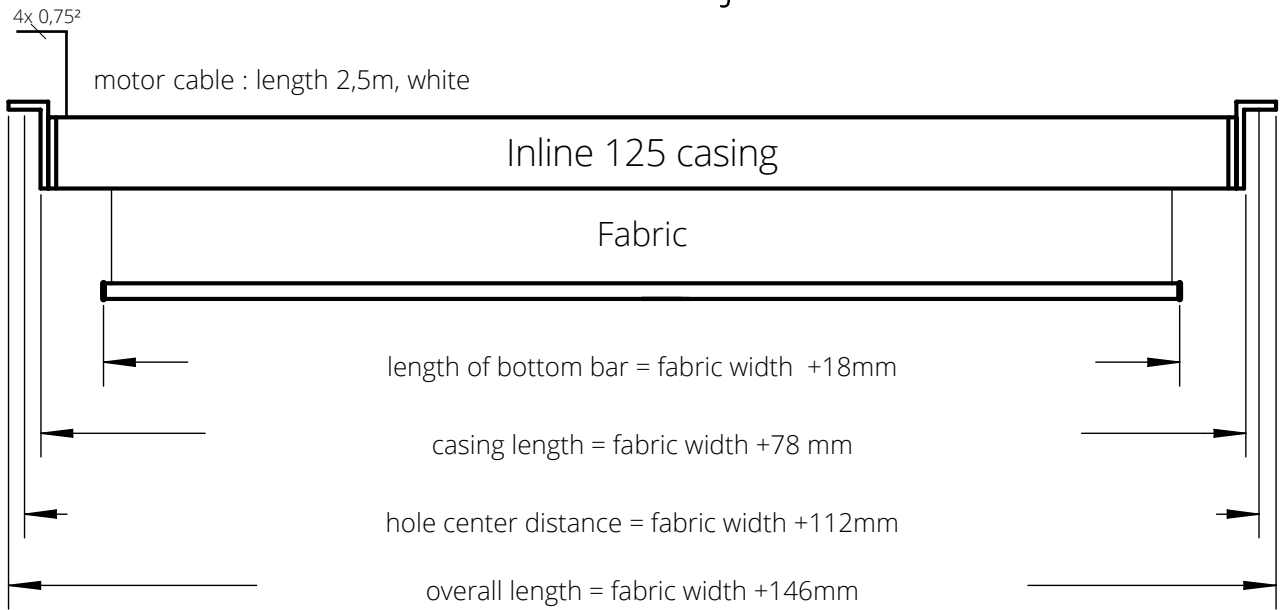


INLINE 125 MW MOTOR MOUNTING BRACKET

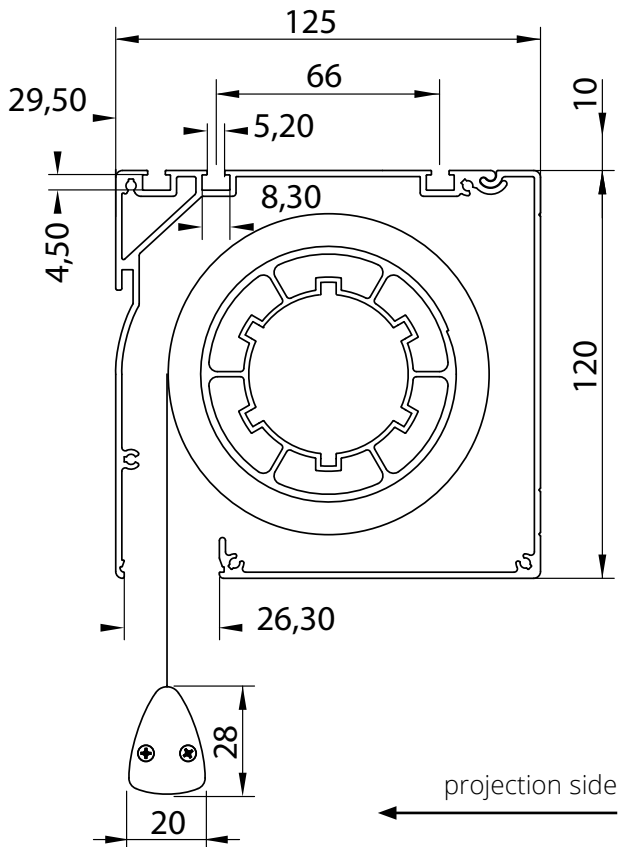


Dimensions of the Projection Screen

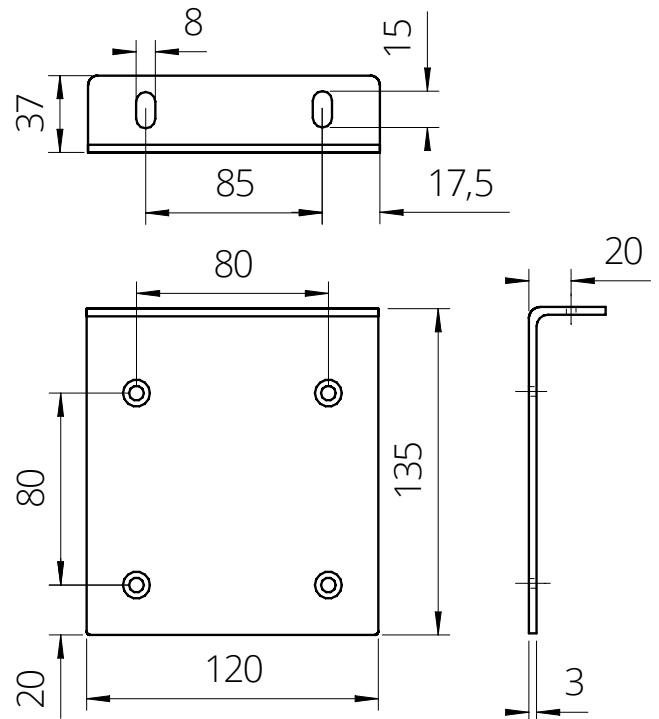


overall length: +/- 2mm

Cross Section Inline-Casing



Universal - Mounting Bracket for wall and ceiling mounting



Version: 02/22