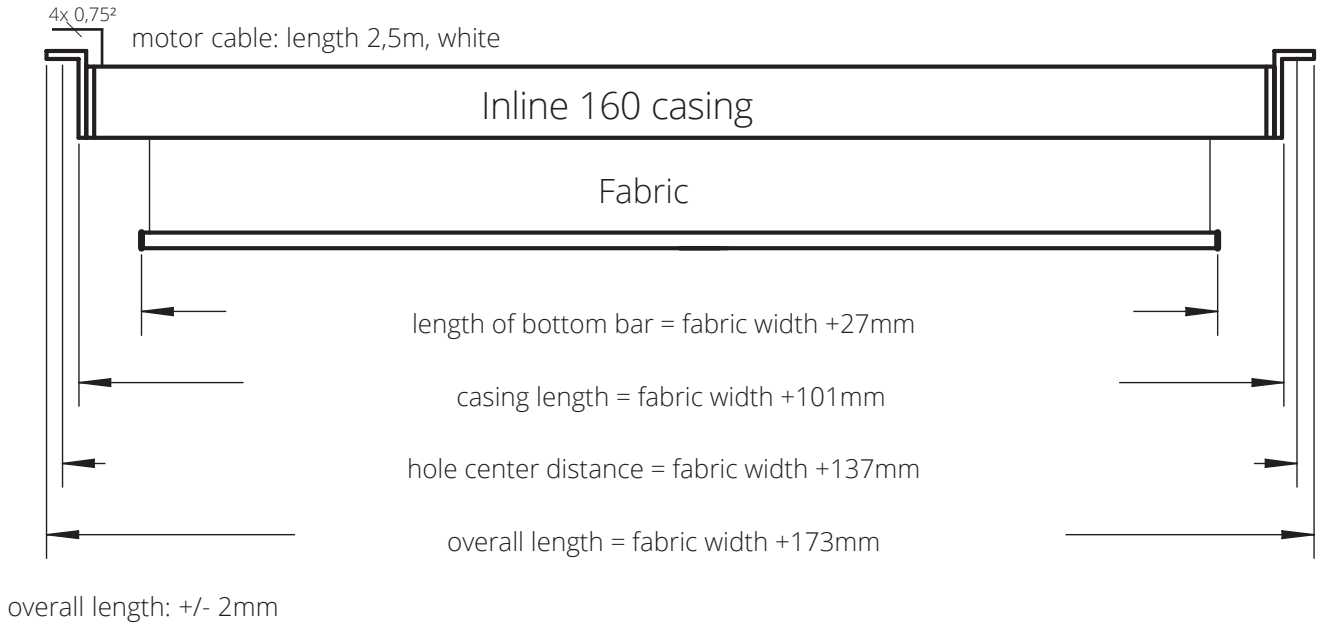


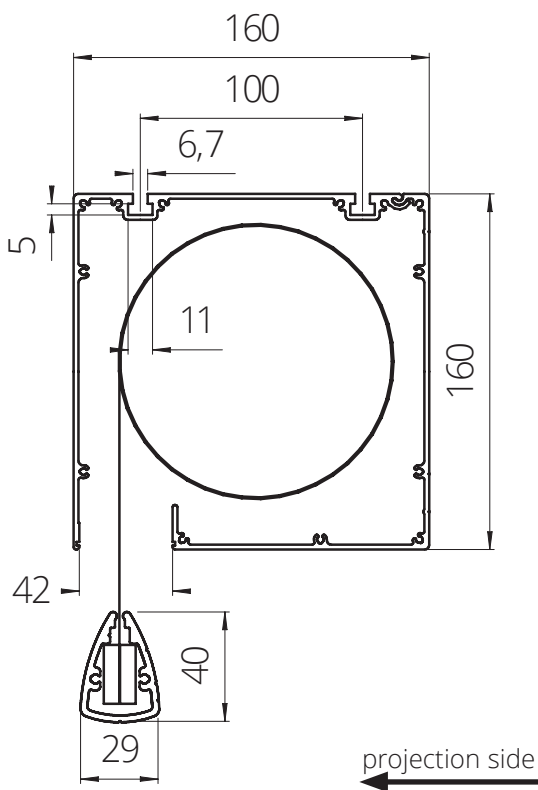
INLINE 160 MW MOUNTING BRACKET



Dimensions of the Projection Screen



Cross Section Inline-Casing



Universal - Mounting Bracket

