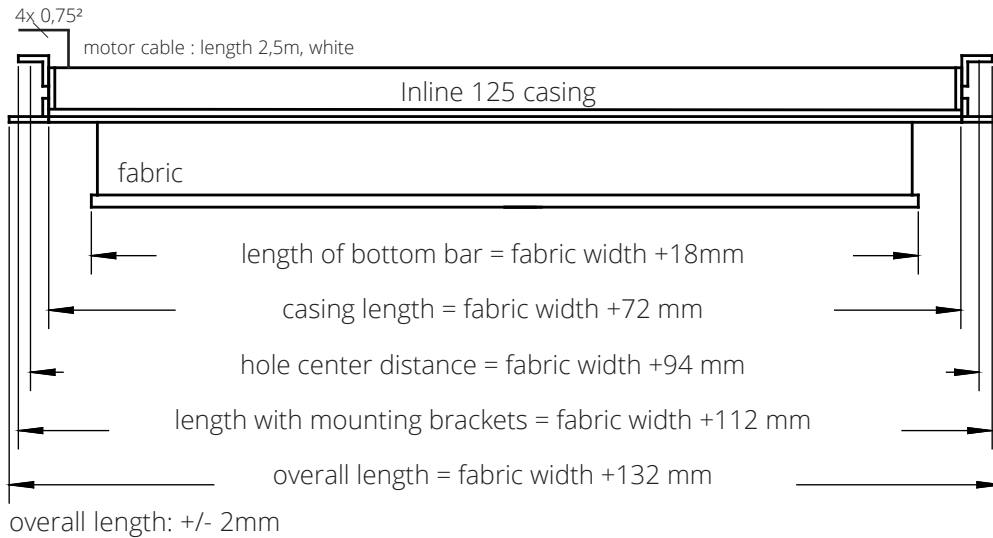


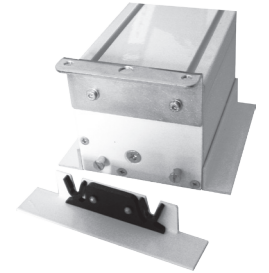
# INLINE 125 EBR CEILING INTEGRATION



## Dimensions of the Projection Screen



All projection screens in system Inline are available as projection screens for ceiling integration. The clips-brackets on either sides of the screen are stackable to allow convenient access to the screws for mounting and servicing. Mounting and Dismounting of the projection screen can be done without additional access.

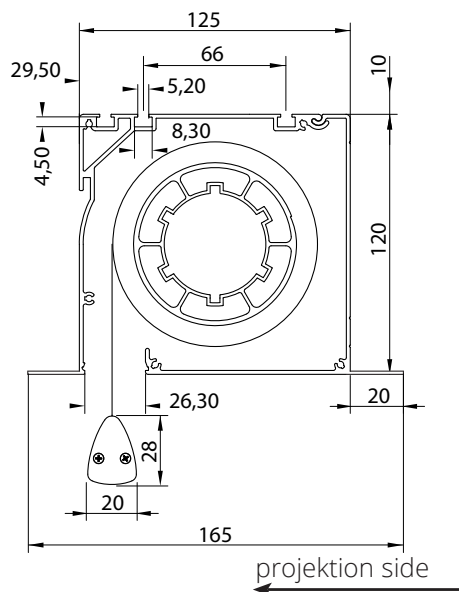


### RECESS FOR SUSPENDED CEILING:

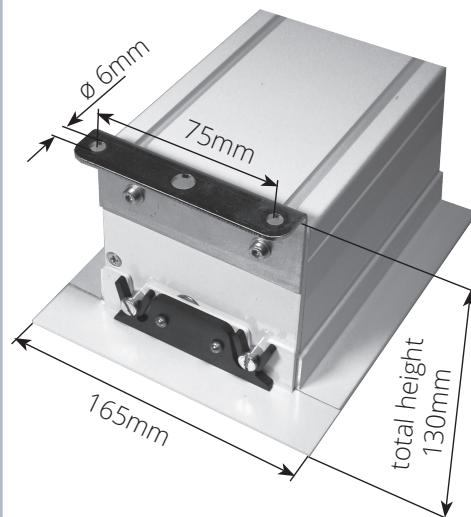
In case of subsequent mounting of the projection screen into a suspended ceiling, a recess according to the sketch below has to be made.



### Cross Section Inline-Casing



### Clip Bracket and Mounting Bracket



### BIZ-MSAD/125

Inline Mounting Set for Suspended Ceiling

The Mounting Set - the perfect supplement for projection screens for suspended ceilings. Thread rods (100cm) enable a continuously adjustment to the ceiling level.

