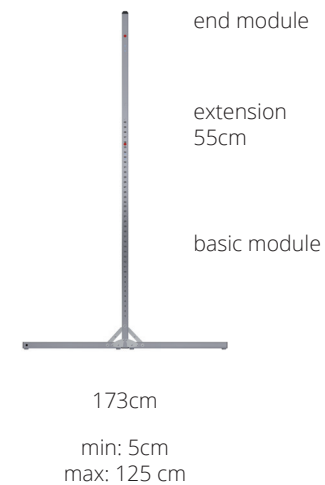
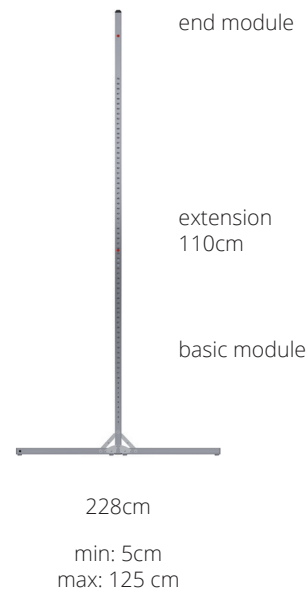
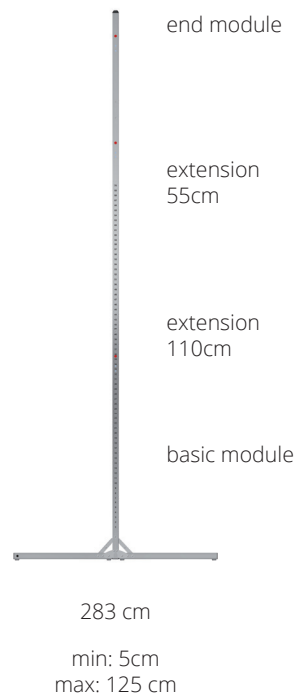


T32-SHIFT LEG



T32-SHIFT

According to the screen frame height and the desired set-up height the T32-SHIFT leg can be assembled in four different lengths: 111" (283cm), 90" (228cm), 68" (173cm), 46" (118cm)



GENERAL PRODUCT FEATURES::

- easy height adjustment in assembled condition
- tool-free automatic securing of the height adjustment
- Just one person needed for assembly
- 4 different lengths possible
- compatible with Monoblox32 und Monoclip32
- Altitude: min: 2" (5cm) - max: 49" (125cm)
- adjustable in steps of 1" (25,4mm)
- Weight (283cm): 3,8kg
- hardened aluminum alloy EN-AW 6063
- optional black anodized
- 5 years of warranty

Set up height:

Set-up heights are points of reference and have to be adapted in accordance with the screen size and ambient conditions.

min: minimum height of the bottom edge of the frame

max: maximum height of the bottom edge of the frame without additional safeguarding

Set up height is variable in steps of 1" (25,4mm).

Set-up heights are points of reference and have to be adapted in accordance with the screen size and ambient conditions. Set-up height based on absolute vertical positioning without additional force effects (e.g.: wind, air condition draught,..).