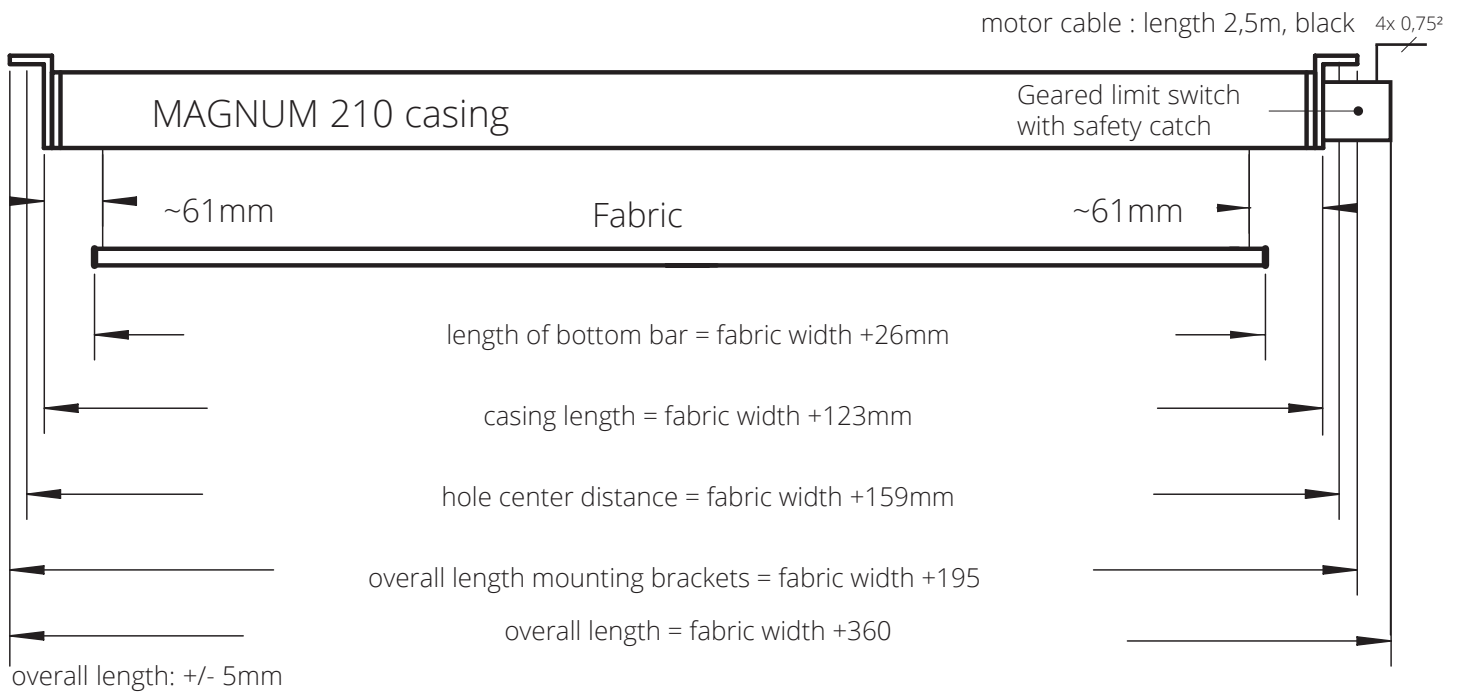
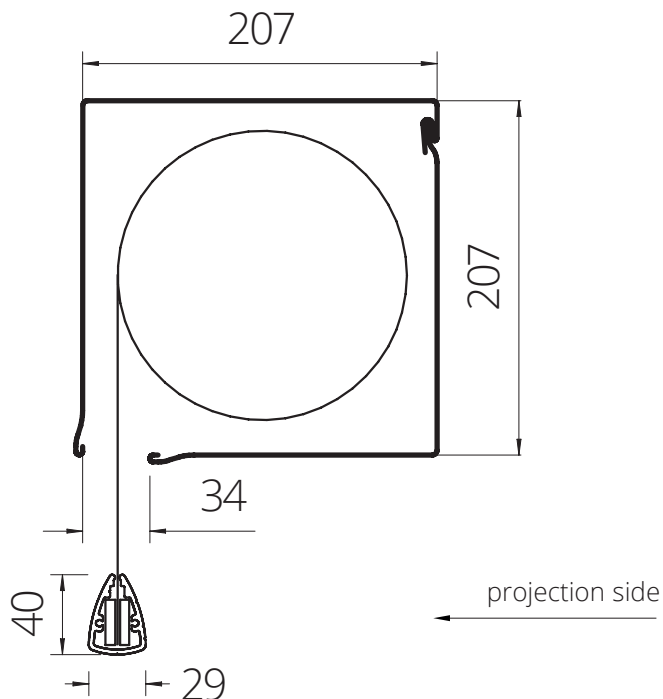


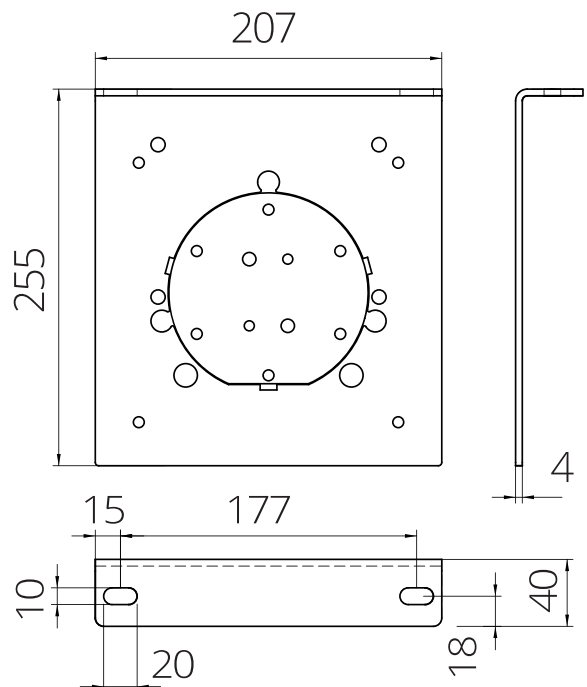
Dimension of the Projection Screen



Cross Section MAGNUM-Casing



Universal Mounting Bracket for ceiling mounting



THE BRACKETS OF THE PROJECTION SCREEN MUST BE MOUNTED FORCE-FIT AND POSITIVE-FIT TO THE CEILING CONSTRUCTION ! DO NOT PUT ADDITIONAL MECHANICAL LOAD ON THE CASING ! THE MOUNTING MUST ENSURE THAT NO DISTORTION CAN ARISE !