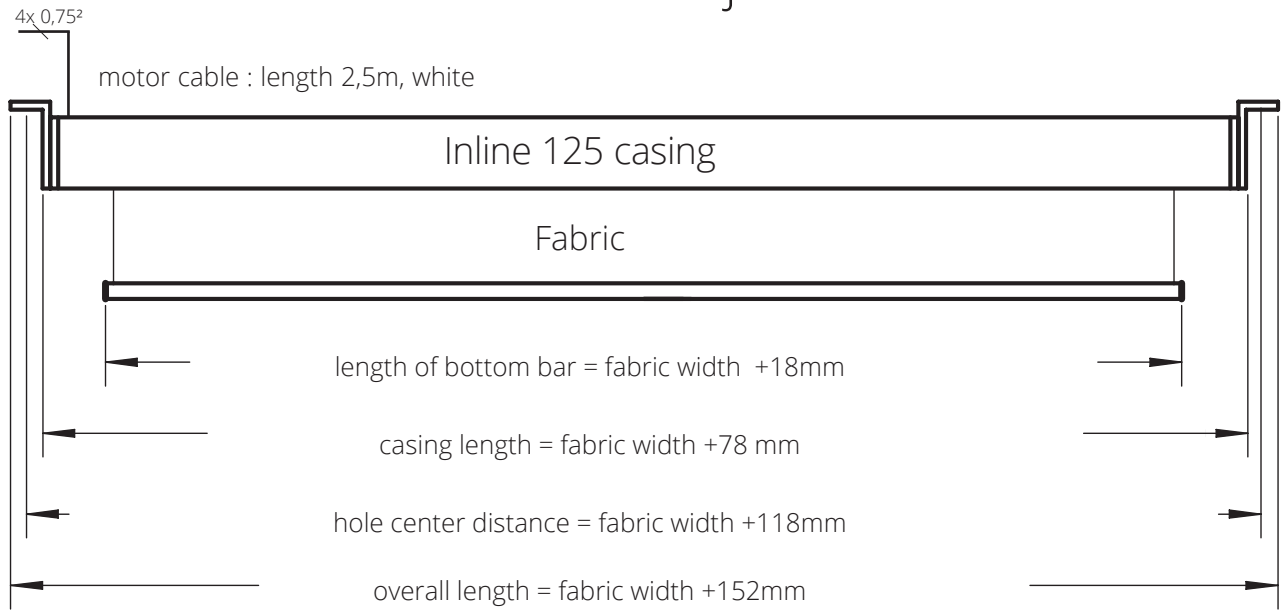


# INLINE 125 MW MOTOR MOUNTING BRACKET

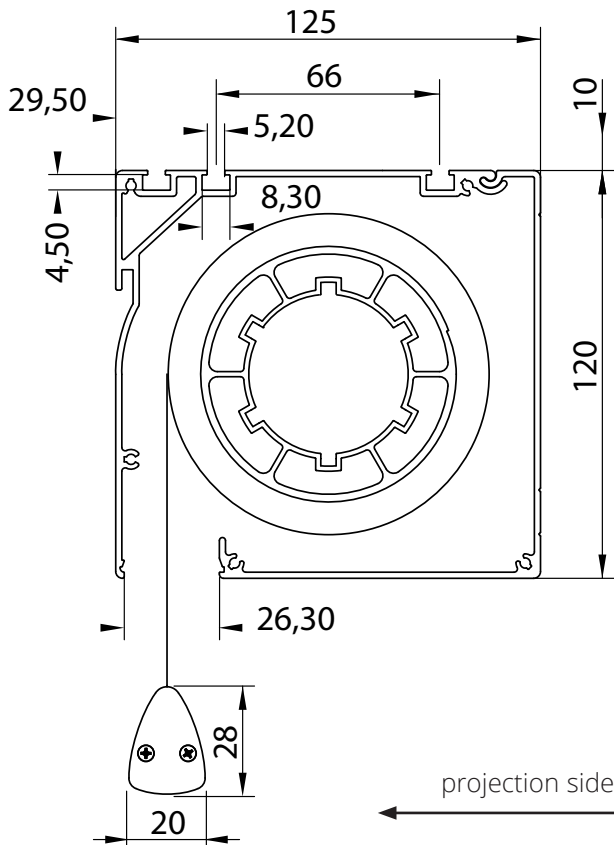


## Dimensions of the Projection Screen

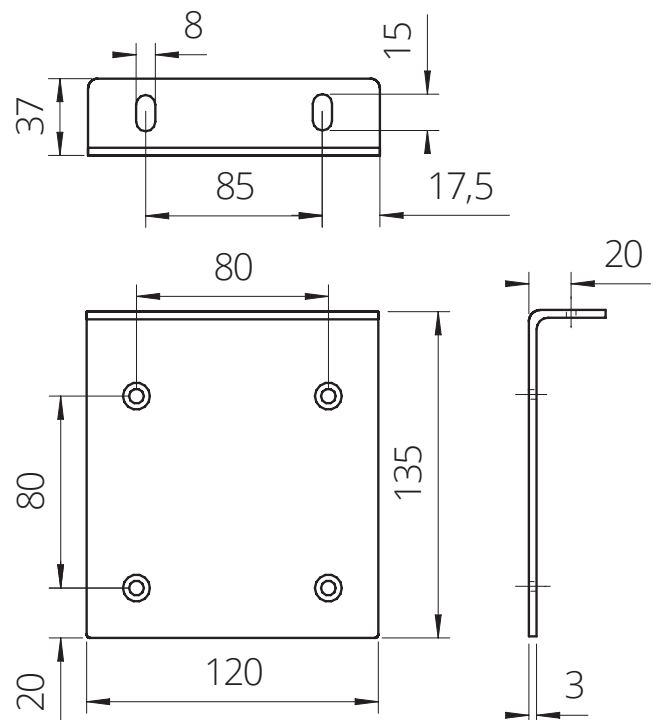


overall length: +/- 2mm

## Cross Section Inline-Casing



## Universal - Mounting Bracket for wall and ceiling mounting



Version: 11/17