



# ROLL-UP CONTROL

# ROLL UP-CONTROL

## WIRED ..... 3

Control of one motor  
Control of two independent motors

## RADIO CONTROL ..... 4-5

Control of one motor via radio control transmitter  
Control of several motors via radio control transmitter  
Control of one radio controlled motor via radio control transmitter  
Control of several radio controlled motors via radio control transmitter

## MEDIA CONTROL OR IB-BUS-SYSTEM ..... 6-7

Control of one motor via media control or IB-BUS-system

## MEDIA CONTROL & RADIO CONTROL ..... 8-9

Control of a motor via media control and radio control  
Control of a radio controlled motor via media control and radio control

## TRIGGER ..... 10-11

Control of a motor via 12V Trigger signal of the projector  
Control of a motor via 230V Trigger signal of the projector  
Control of several motors via 230V Trigger signal of the projector

## DMX ..... 12-13

Control of one motor via DMX signal

# ROLL UP-CONTROL Wired

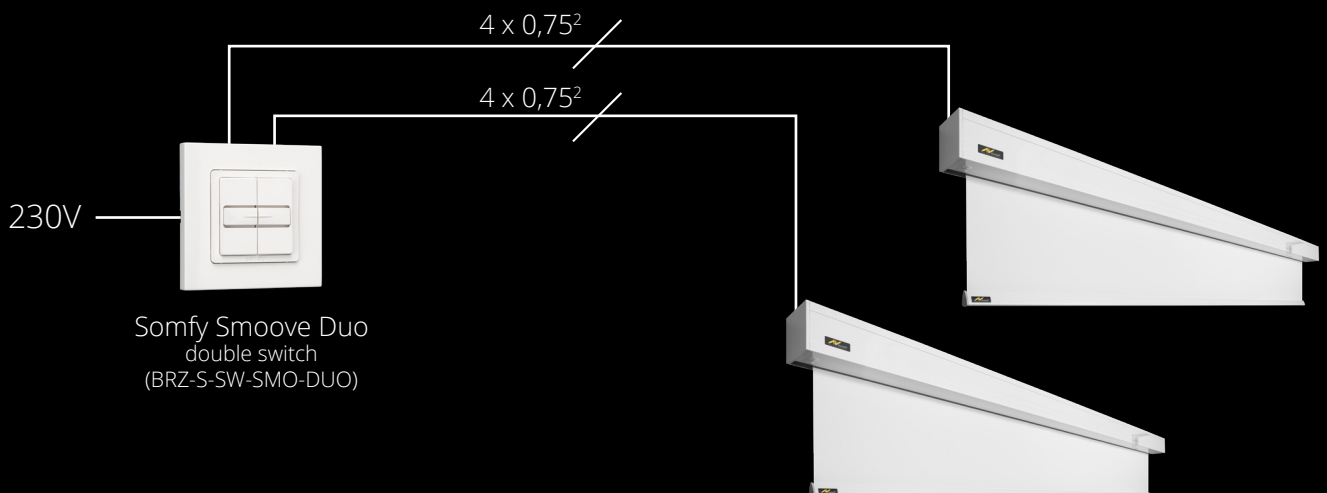
## Control of one motor

- direct control
- simple wiring
- cost-effective



## Control of two independent motors

- direct control (e.g.: 1x motor roll up screen and 1x blind)
- simple wiring
- cost-effective

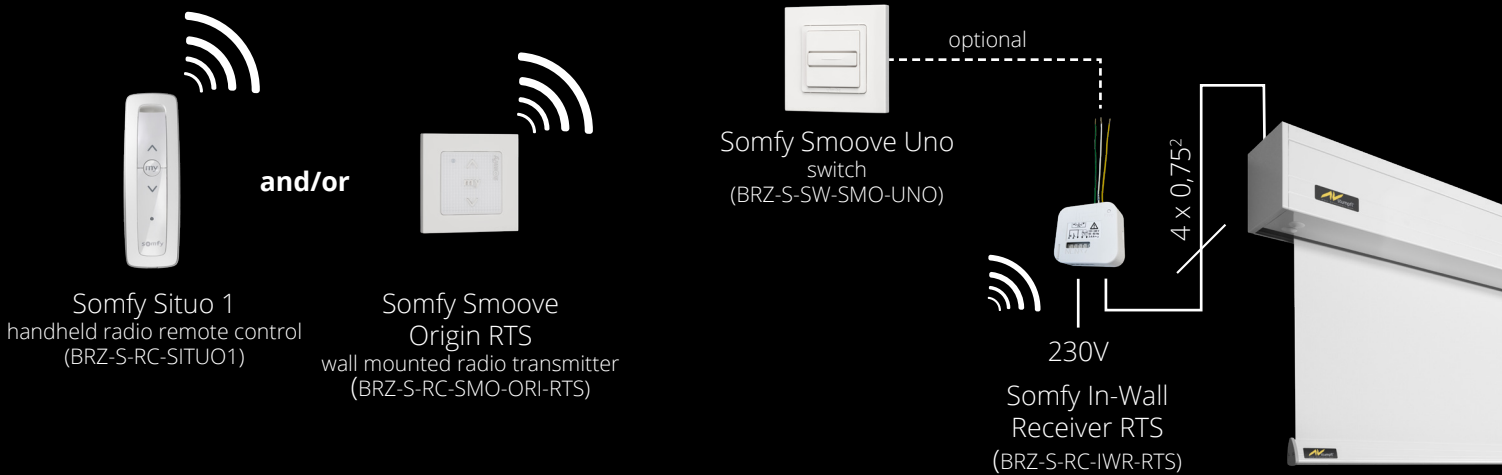


# ROLL UP-CONTROL

## Radio control

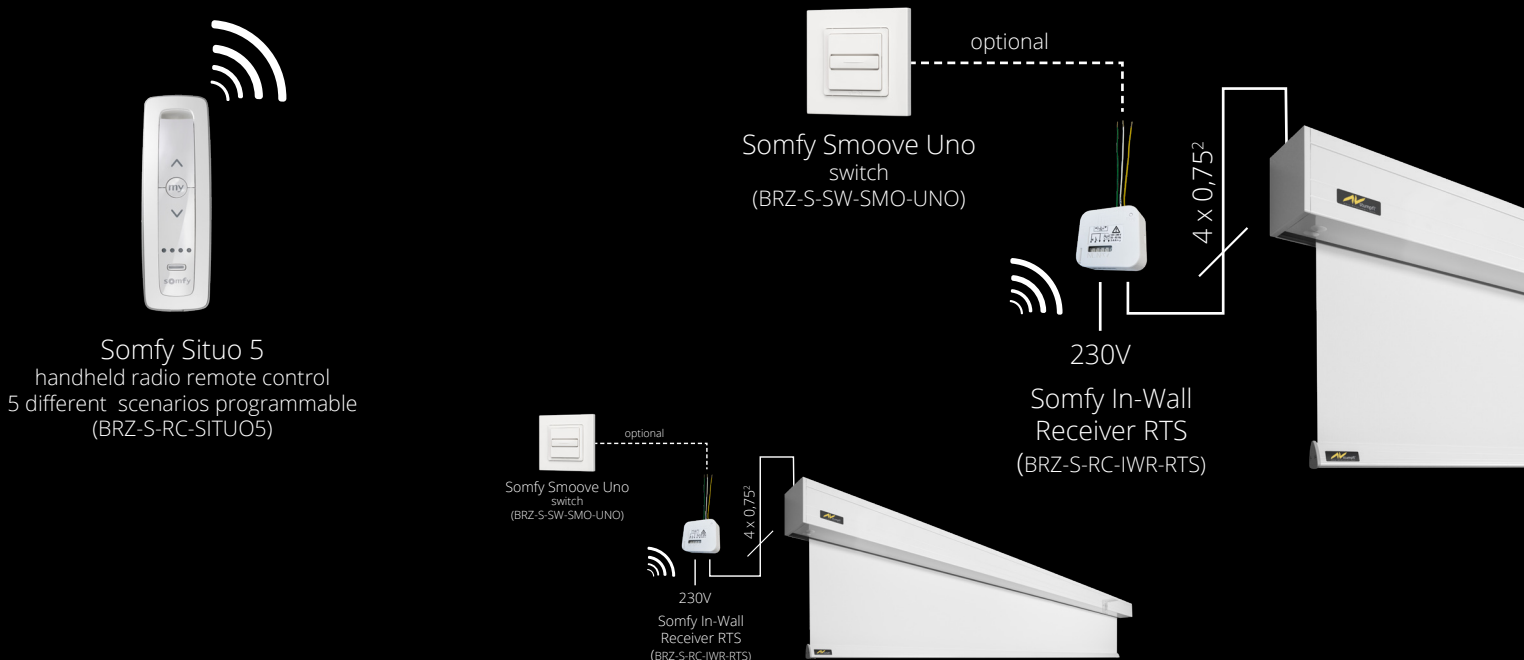
### Control of one motor via radio control transmitter

- less wiring effort due to radio control
- several radio control transmitter programmable
- handheld radio remote control and wall mounted transmitter possible
- intermediate position (image format) programmable
- emergency operation via switch Somfy Smooove Uno or wire contact possible



### Control of several motors via radio control transmitter

- less wiring effort due to radio control
- 5 different scenarios programmable (single or group control)
- several radio control transmitter programmable
- handheld radio remote control and wall mounted transmitter possible
- intermediate position (image format) programmable
- emergency operation via switch Somfy Smooove Uno or wire contact possible



# ROLL UP-CONTROL

## Radio control

### Control of one radio controlled motor via radio control transmitter

- end position adjustable via remote control
- intermediate position (image format ) programmable
- less wiring effort due to radio control
- several radio control transmitter programmable
- handheld radio remote control and wall mounted transmitter possible
- without remote control NO emergency operation possible



Somfy Situo 1  
handheld radio remote control  
(BRZ-S-RC-SITUO1)

and/or



Somfy Smoove  
Origin RTS  
wall mounted radio transmitter  
(BRZ-S-RC-SMO-ORI-RTS)

230V

Radio controlled motor with  
built-in receiver  
(BRZ-MOD/FM/6NM)  
(BRZ-MOD/FM/10NM)  
(BRZ-MOD/FM/20NM)



### Control of several radio controlled motors via radio control transmitter

- end position adjustable via remote control
- intermediate position (image format ) programmable
- less wiring effort due to radio control
- 5 different scenarios programmable (single or group control)
- several radio control transmitter programmable
- handheld radio remote control and wall mounted transmitter possible
- without remote control NO emergency operation possible



Somfy Situo 5  
handheld radio remote control  
5 different scenarios programmable  
(BRZ-S-RC-SITUO5)

230V

Radio controlled motor with  
built-in receiver  
(BRZ-MOD/FM/3NM)  
(BRZ-MOD/FM/6NM)  
(BRZ-MOD/FM/10NM)  
(BRZ-MOD/FM/20NM)



230V

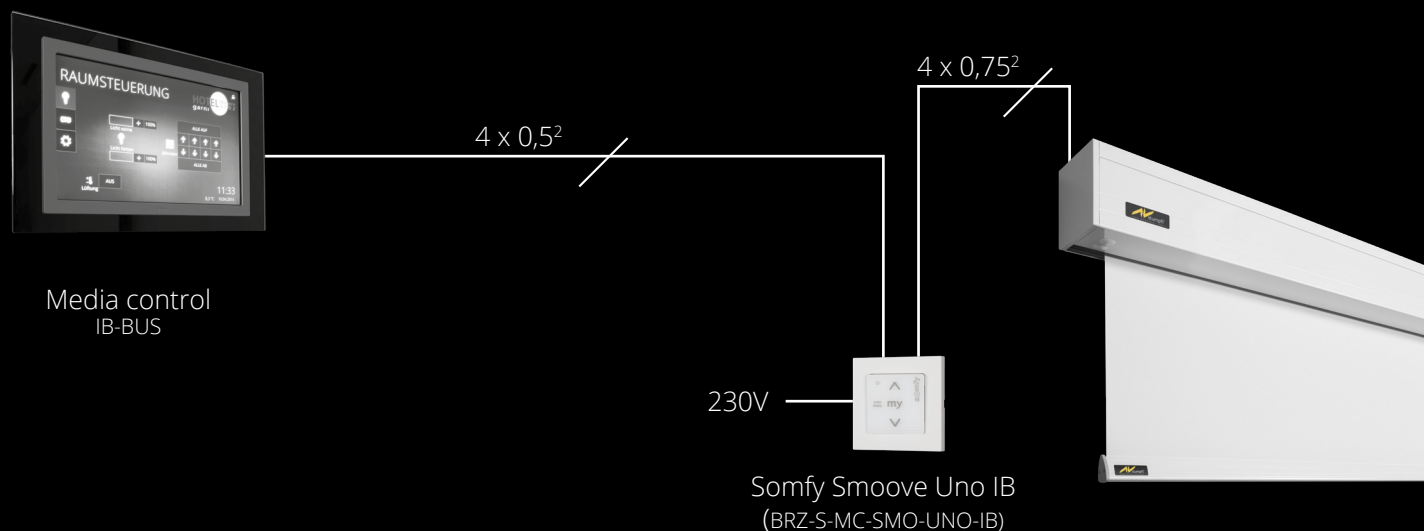


# ROLL UP-CONTROL

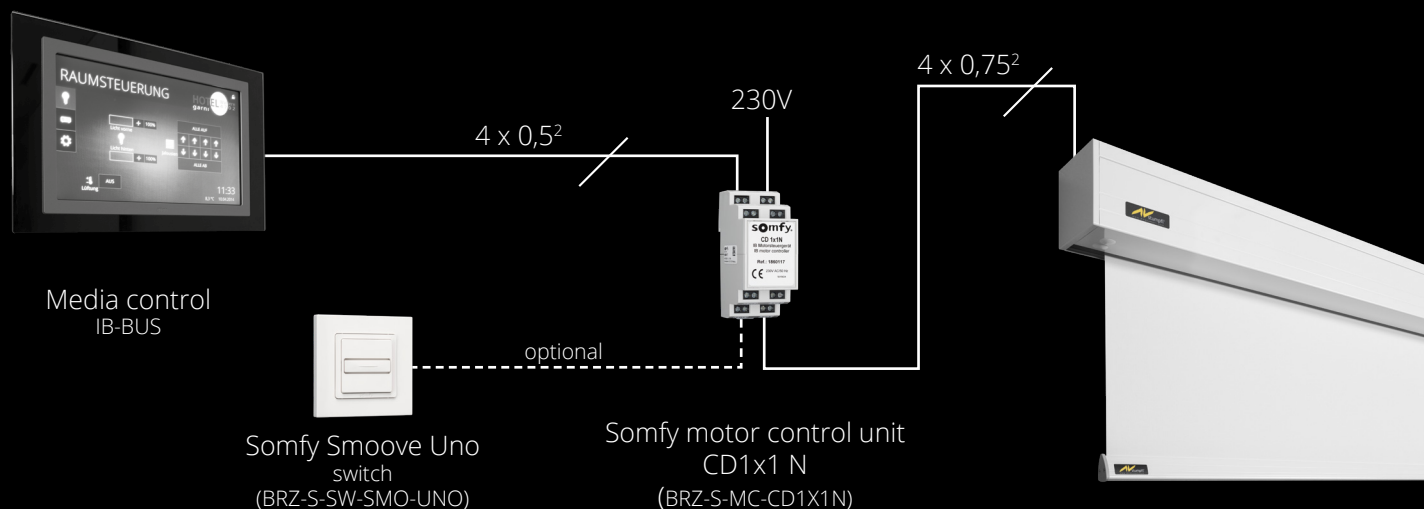
## Media control or IB-BUS-system

### Control of one motor via media control or IB-BUS-system

- motor control unit for flush mounting with integrated switch
- control via media control or IB-BUS system due to dry contact
- Manual control by using buttons on the motor control unit
- intermediate position (image format ) programmable
- compatible to all switch series in standard size 50x50mm



- motor control unit for DIN rail mounting
- control via media control or IB-BUS system due to dry contact
- direct control by optional switch possible
- intermediate position (image format ) programmable

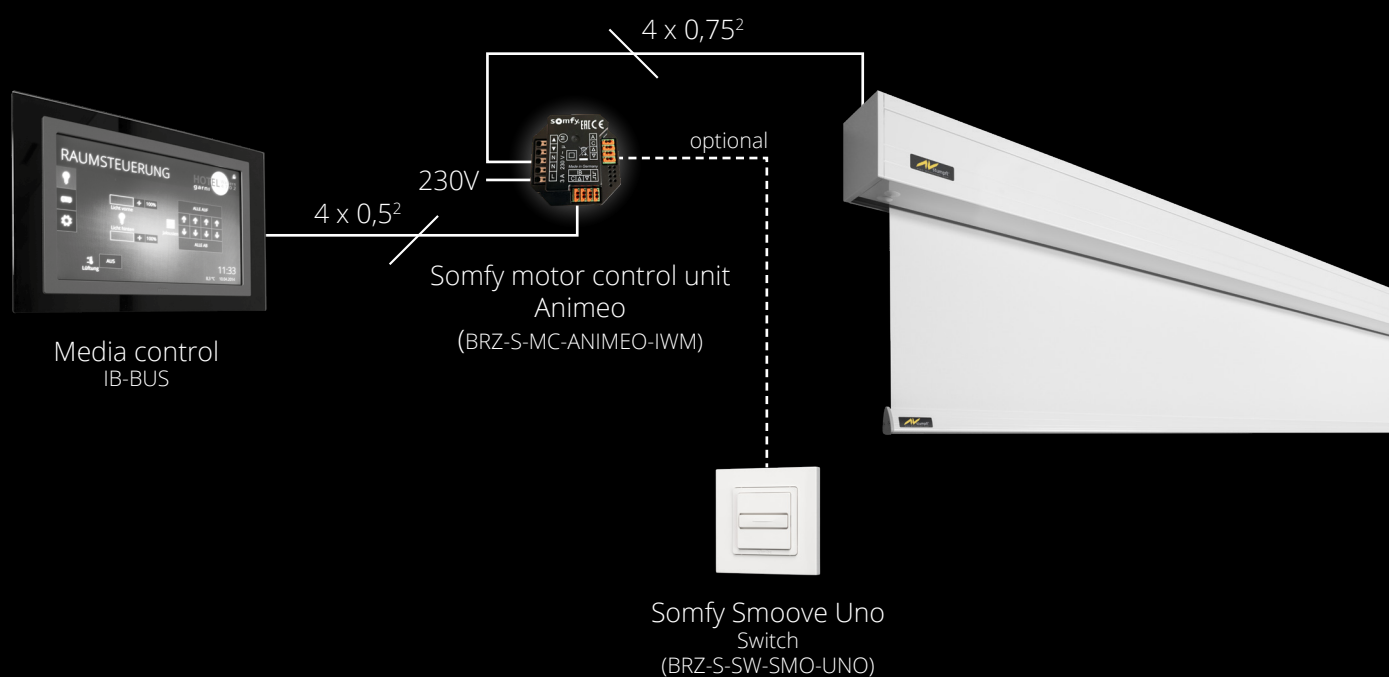


# ROLL UP-CONTROL

## Media control or IB-BUS-system

### Control of one motor with media control or IB-BUS-system

- motor control unit for flush mounting in a pattress box or electrical wall switch box
- control with media control or IB-BUS system via dry contact
- direct control by optional switch possible
- intermediate position (image format ) programmable

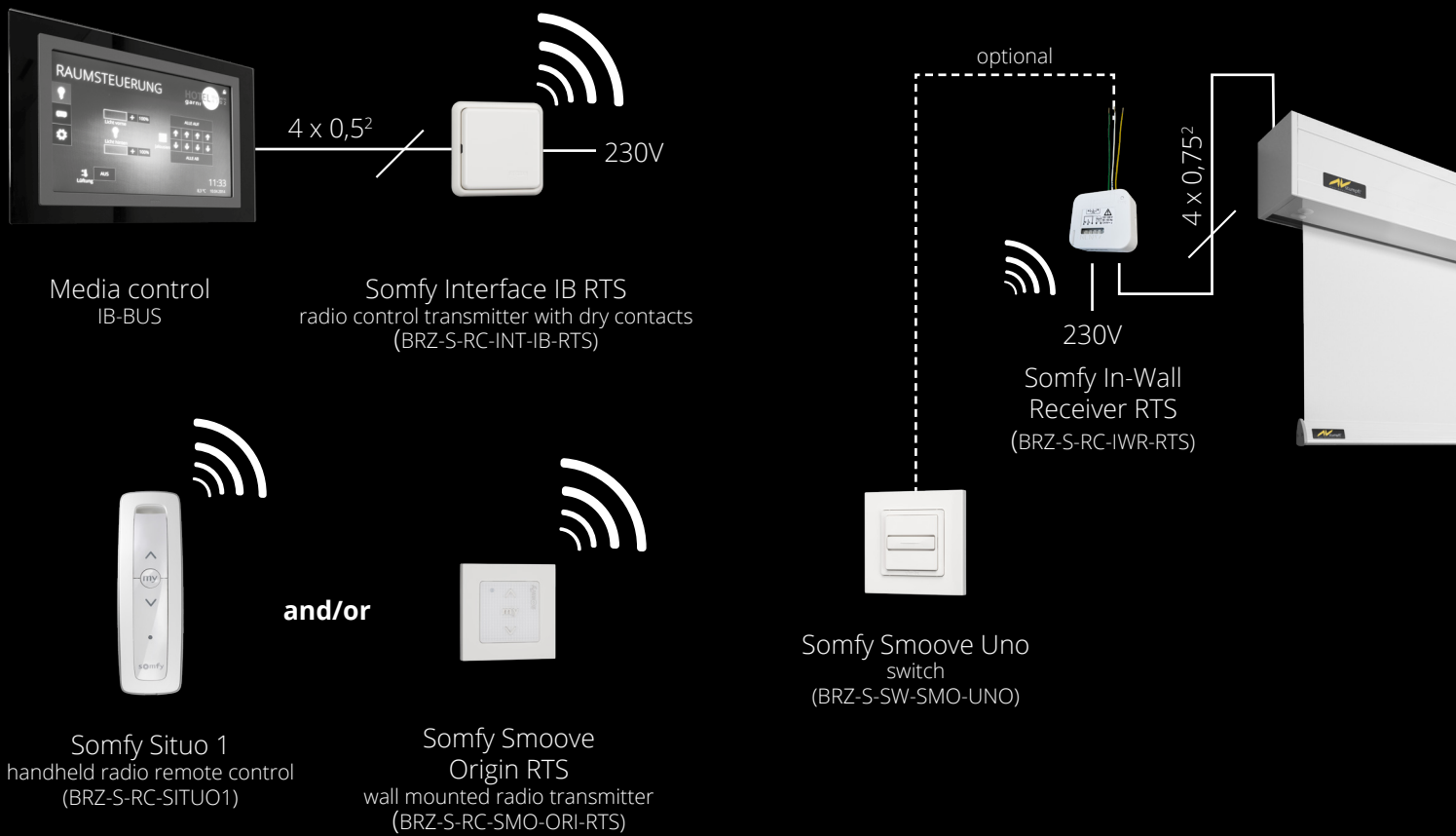


# ROLL UP-CONTROL

## Media control and radio control

### Control of a motor via media control and radio control

- control via media control or IB-BUS system by radio control transmitter interface with dry contacts
- less wiring effort due to radio control control
- handheld radio remote control and wall mounted transmitter possible
- emergency operation via switch Somfy Smoove Uno or wire contact possible
- several radio control transmitter programmable
- intermediate position (image format) programmable



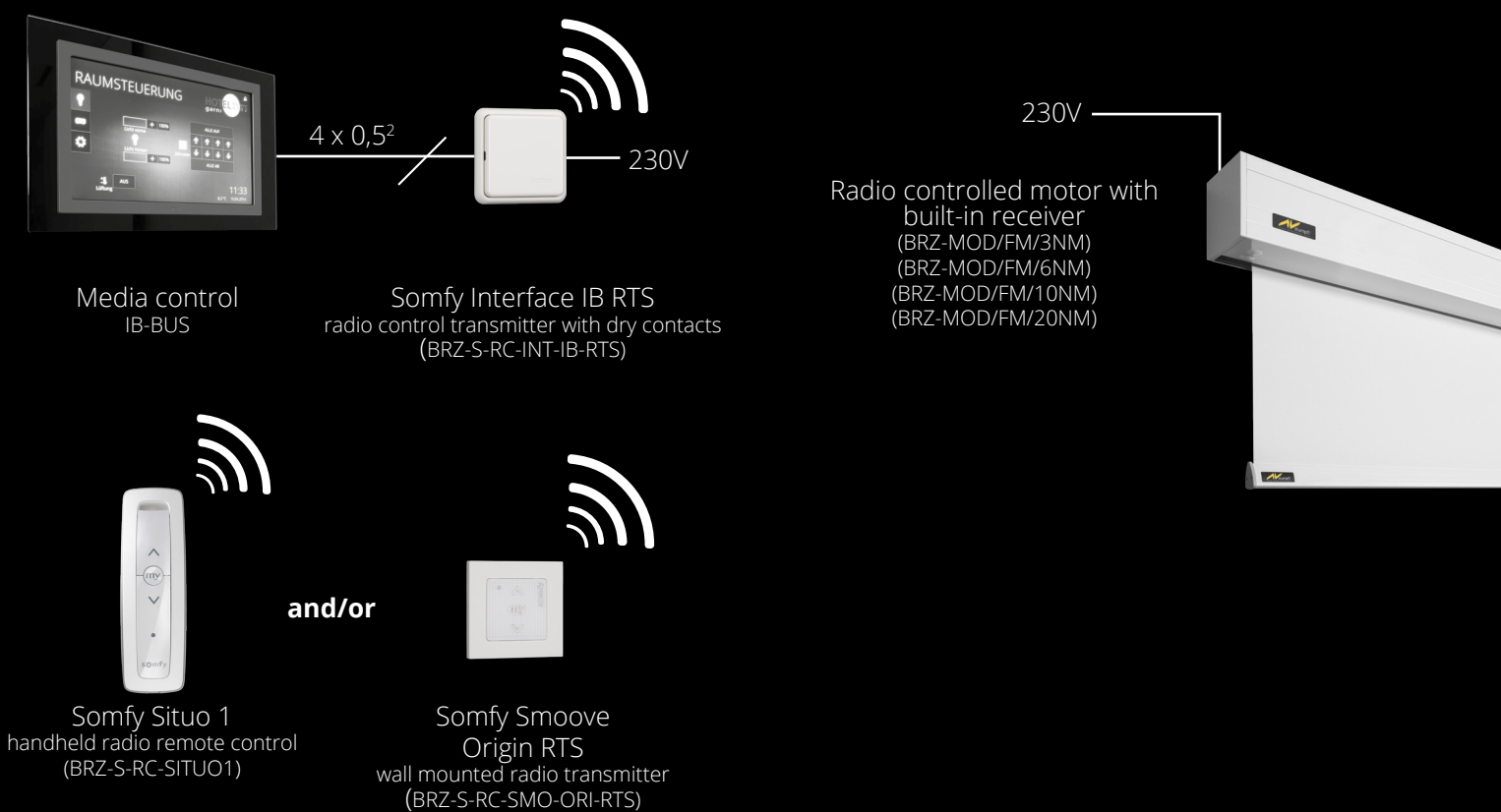


# ROLL UP-CONTROL

## Media control and radio control

### Control of a radio controlled motor via media control and radio control

- control via media control or IB-BUS system by radio control transmitter interface with dry contacts
- less wiring effort due to radio control control
- handheld radio remote control and wall mounted transmitter possible
- end position adjustable via radio remote control
- emergency operation without transmitter via buttons on the receiver Somfy Interface IB RTS possible
- several radio control transmitter programmable
- intermediate position (image format ) programmable

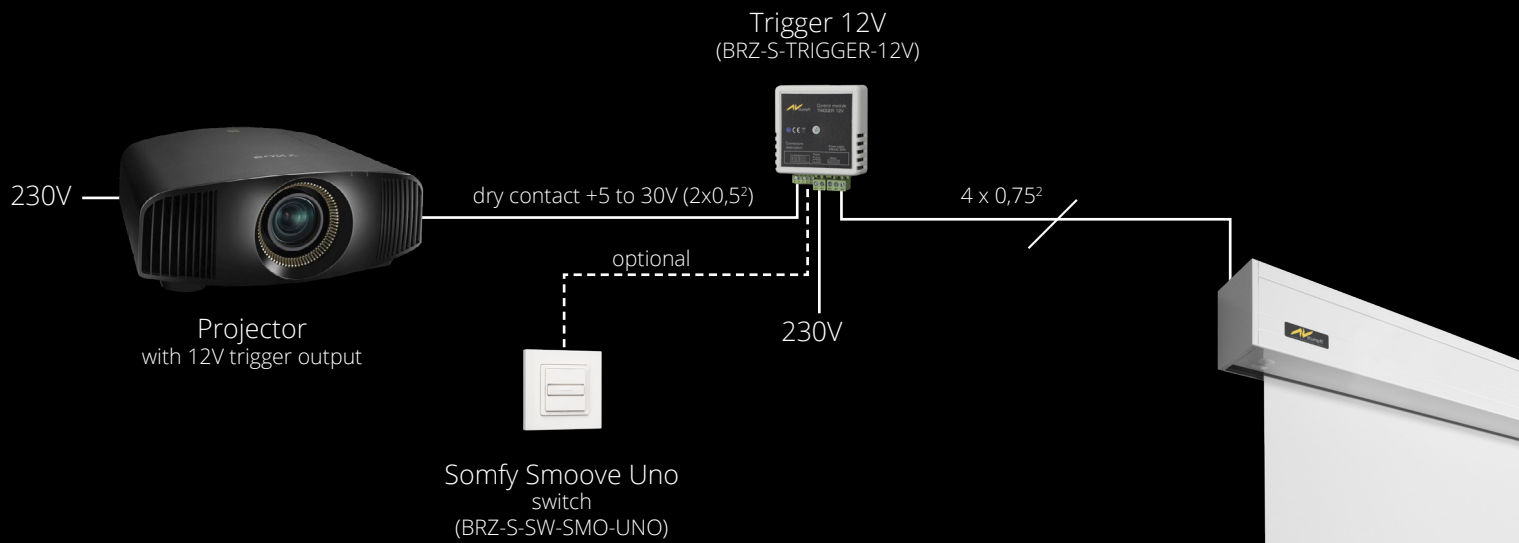


# ROLL UP-CONTROL

## Trigger

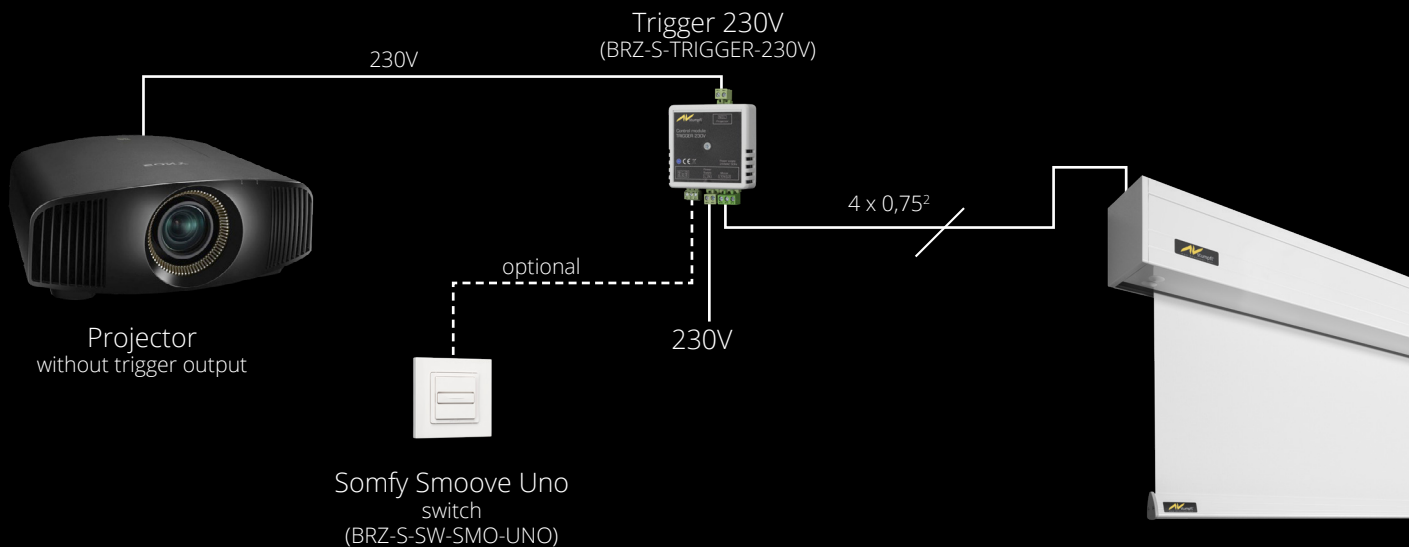
### Control of a motor via 12V Trigger signal of the projector

- control of the projection screen via projector with trigger output
- switching on the projector unwinds the projection screen
- switching off the projector rewinds the projection screen
- direct control of the projection screen via optional switch possible



### Control of a motor via 230V Trigger signal of the projector

- control of the projection screen via projector (any 230V device) without trigger output
- switching on the projector unwinds the projection screen
- switching off the projector rewinds the projection screen
- direct control of the projection screen via optional switch possible

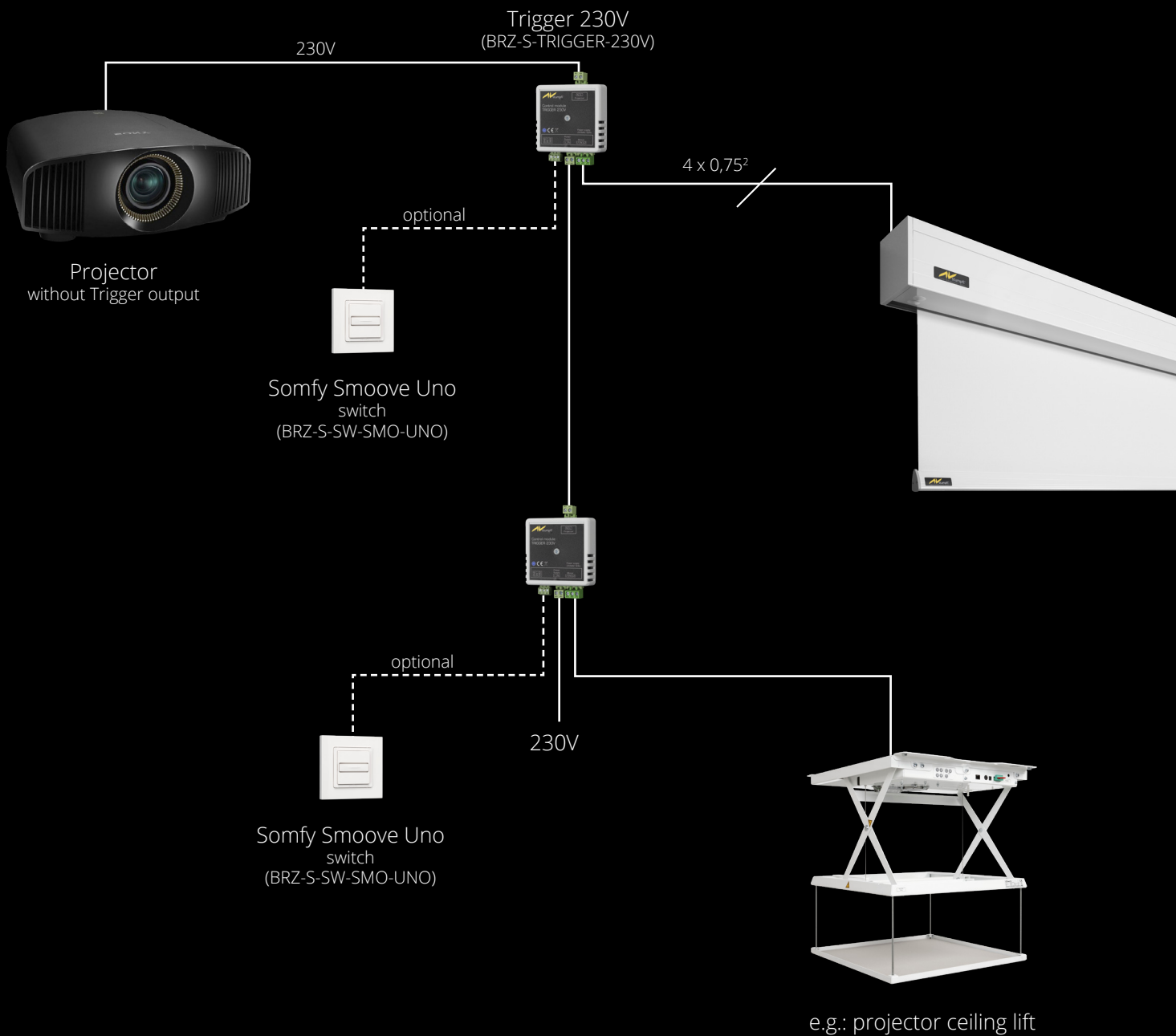


# ROLL UP-CONTROL

## Trigger

Control of several motors via 230V Trigger signal of the projector

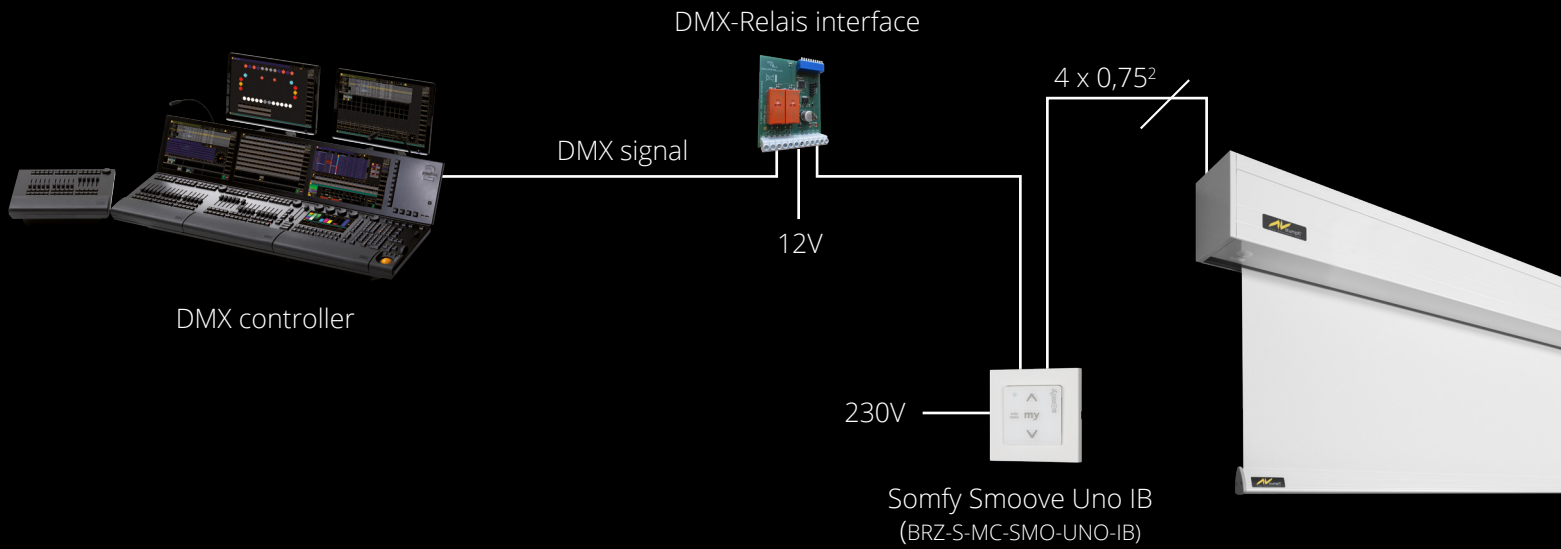
- control of the projection screen via projector (any 230V device) without trigger output
- switching on the projector e.g. unwinds the projection screen and the projector ceiling lift goes down
- Switching off the projector e.g. rewinds the projection screen and the projector ceiling lift goes up
- direct control of the projection screen via optional switch possible



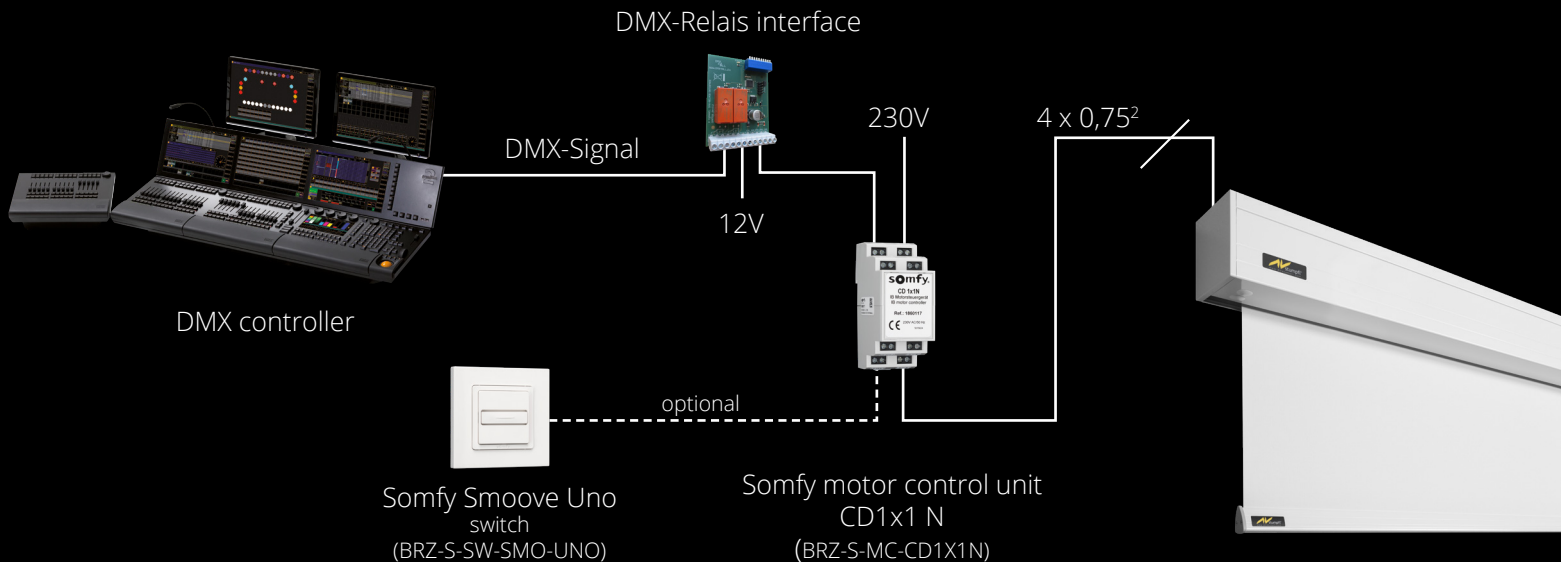
# ROLL UP-CONTROL DMX

## Control of one motor via DMX signal

- control by a DMX signal with a DMX relay interface and a motor control unit
- motor control unit for flush mounting with integrated switch
- manual control by using buttons on the motor control unit
- intermediate position (image format ) programmable
- compatible to all switch series in standard size 50x50mm



- control by a DMX signal with a DMX relay interface and a motor control unit for DIN rail mounting.
- direct control by optional switch possible
- intermediate position (image format ) programmable





# ROLL UP-CONTROL DMX

Optional:



Housing for  
DMX-Relais interface  
(BRZ-S-DMX-AD-DIN)



DMX 12V power  
supply for DIN rail  
(BRZ-S-DMX-12V-PS)



AV Stumpfl GmbH | 4702 Wallern | Mitterweg 46 | Austria  
AVstumpfl@AVstumpfl.com | [www.AVstumpfl.com](http://www.AVstumpfl.com)  
tel.: +43 (0) 7249 / 42811 | fax: +43 (0) 7249 / 42811-4

WEEE-Reg. NR.: DE 24145251