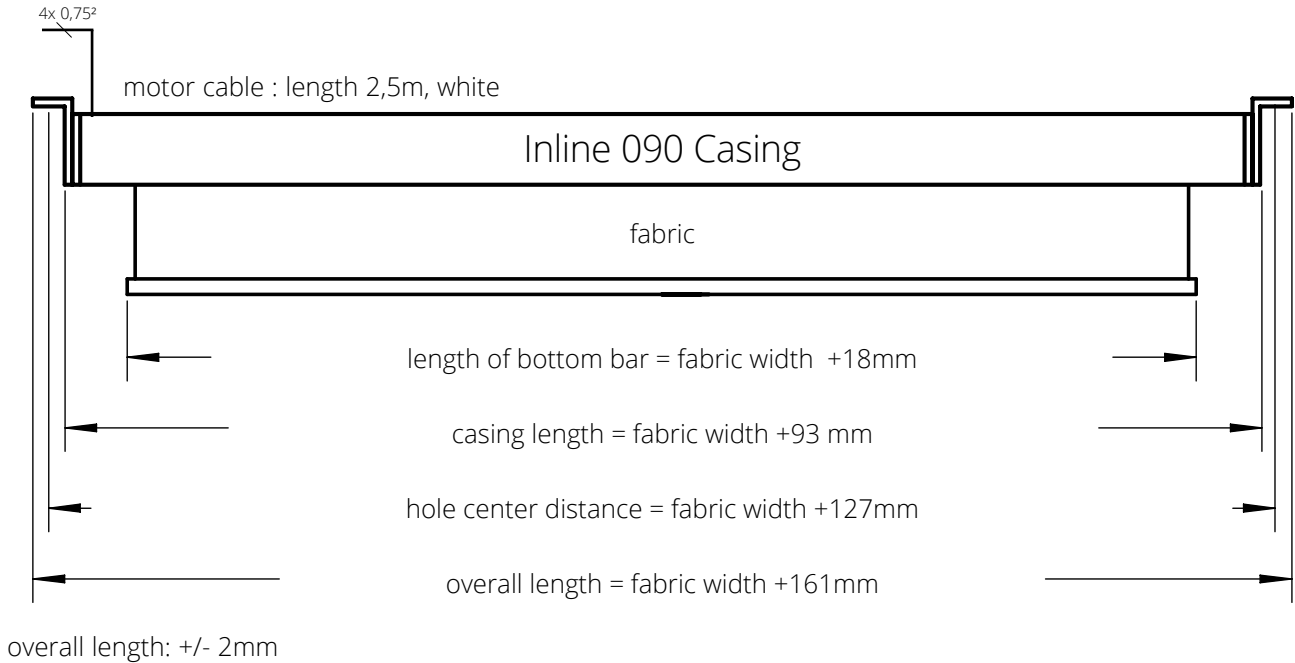


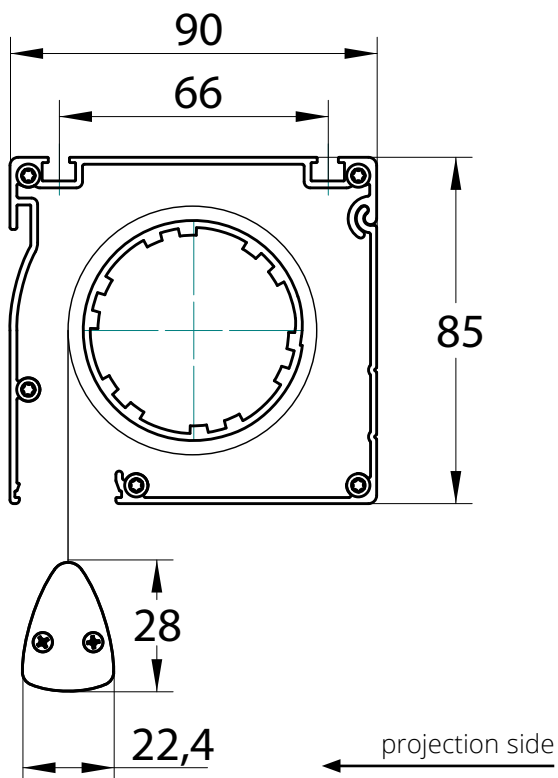
# INLINE 90 MW MOUNTING BRACKET



## Dimensions of the Projection Screen



### Cross Section Inline-Casing



### Universal - Mounting Bracket

for wall and ceiling mounting

