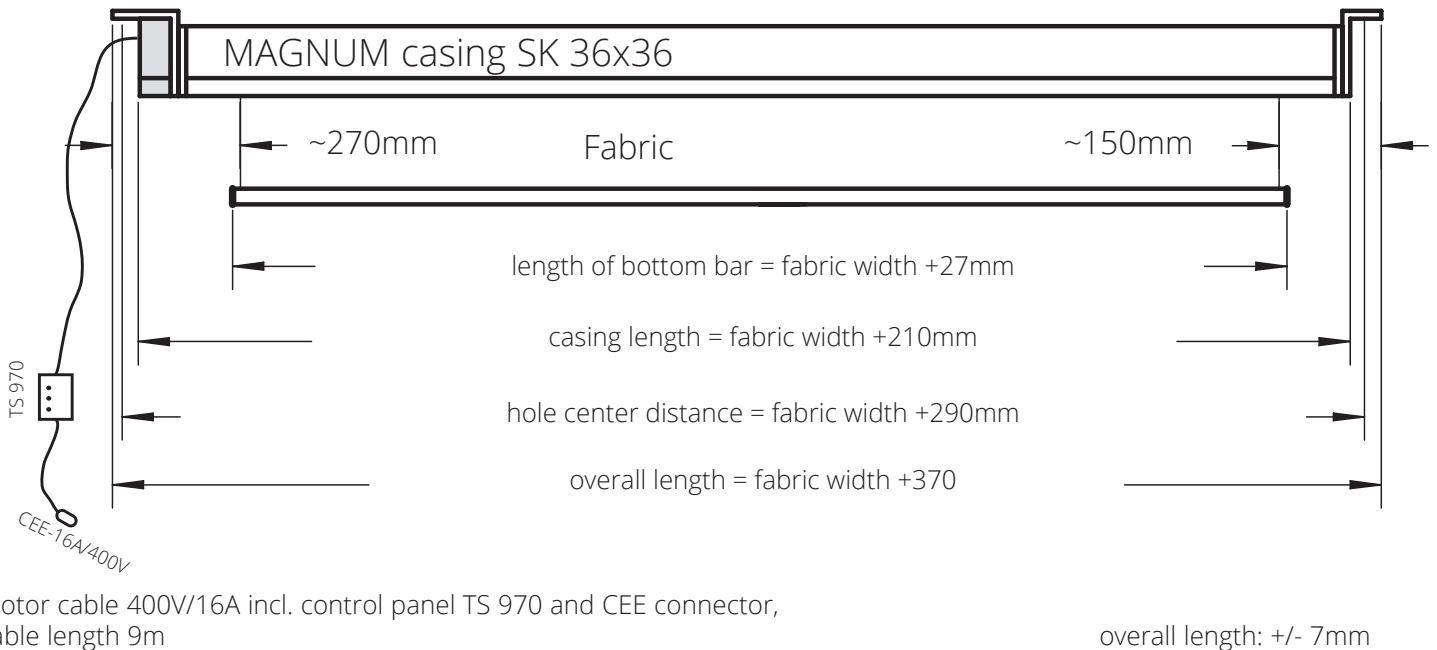


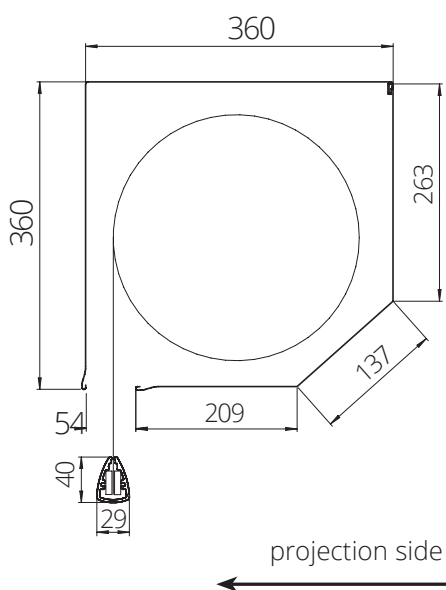
Dimension of the Projection Screen

motor cable : length 2,5m, white

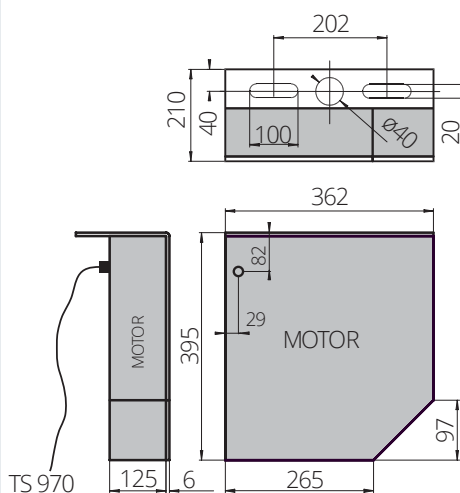


motor cable 400V/16A incl. control panel TS 970 and CEE connector, cable length 9m

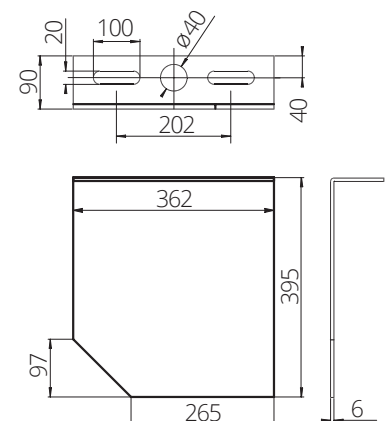
Cross Section MAGNUM-Casing



Mounting Bracket left



Mounting Bracket right



THE BRACKETS OF THE PROJECTION SCREEN MUST BE MOUNTED FORCE-FIT AND POSITIVE-FIT TO THE WALL- OR CEILING CONSTRUCTION ! DO NOT PUT ADDITIONAL MECHANICAL LOAD ON THE CASING ! THE MOUNTING MUST ENSURE THAT NO DISTORTION CAN ARISE !