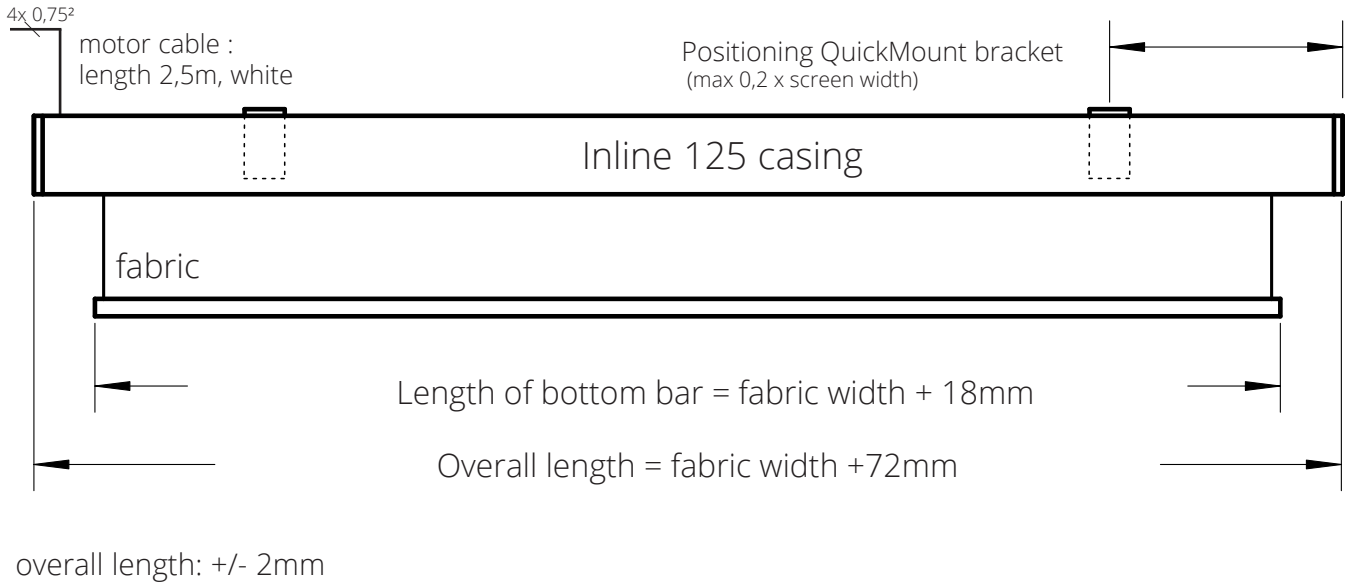


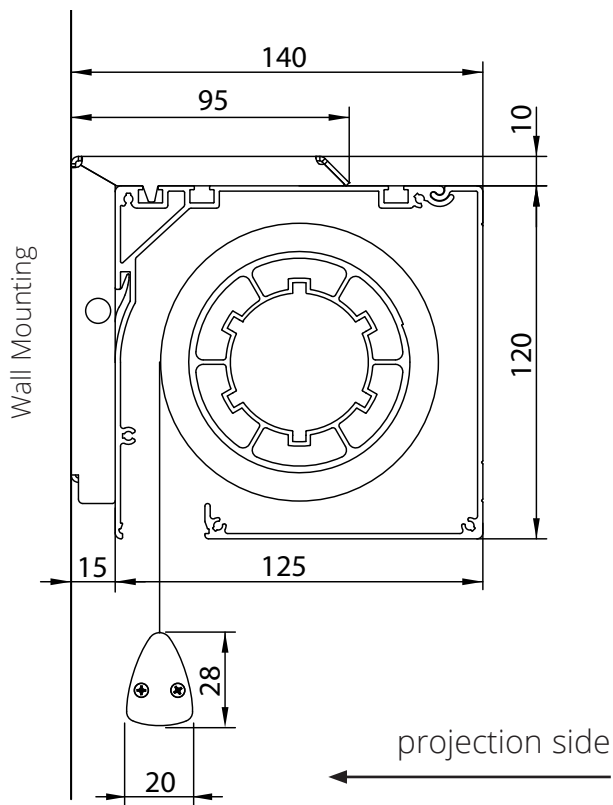
INLINE 125 QM MOTOR QUICKMOUNT



Dimensions of the Projection Screen



Cross Section Inline-QuickMount



QuickMount Bracket

for wall and ceiling mounting

