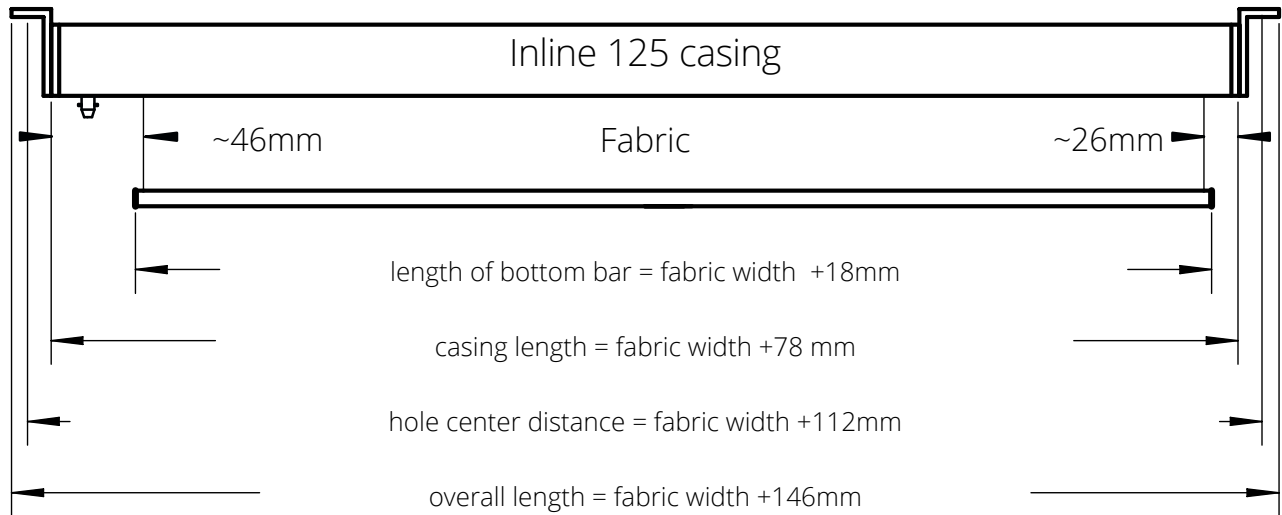


INLINE 125 MW CRANK MOUNTING BRACKET



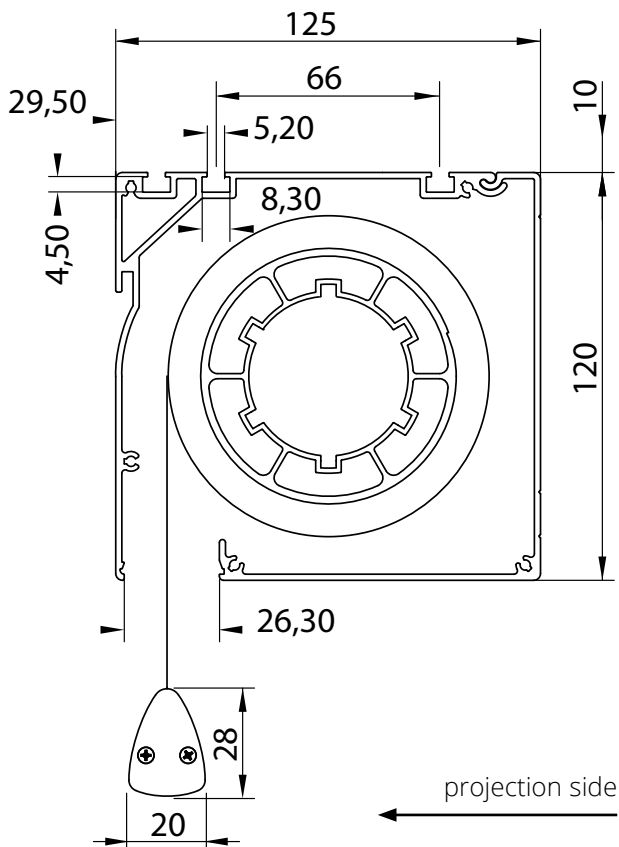
Dimensions of the Projection Screen

Crank length:
 148 cm (fabric height under 220 cm)
 167 cm (fabric height above 220 cm)
 custom length on request

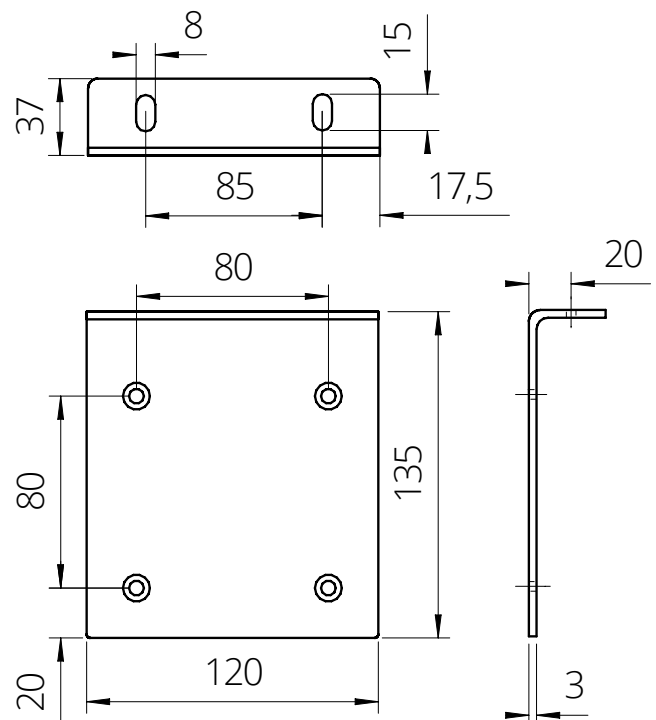


overall length: +/- 2mm

Cross Section Inline-Casing



Universal - Mounting Bracket for wall and ceiling mounting



Version: 02/22